

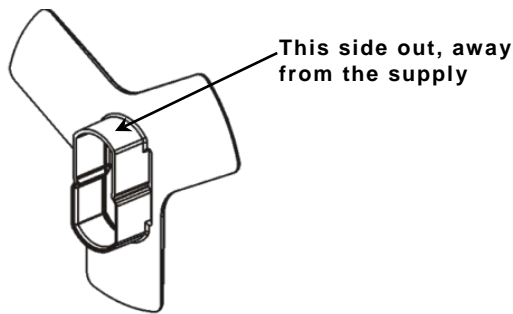
# 9417 SUPPLY LOADING ADDENDUM

Follow these instructions for proper placement of the supply guides on your 9417 Printer. For more information, refer to the Quick Reference Guide that came with your printer (or on our Web site, [www.monarch.averydennison.com](http://www.monarch.averydennison.com)).

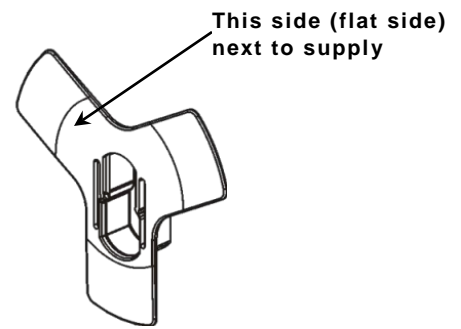
## Supply Guide Placement

---

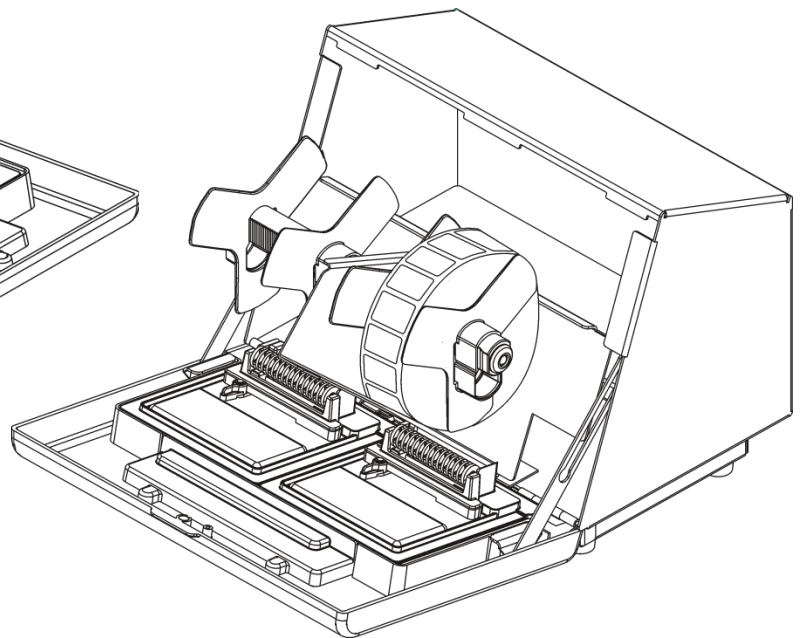
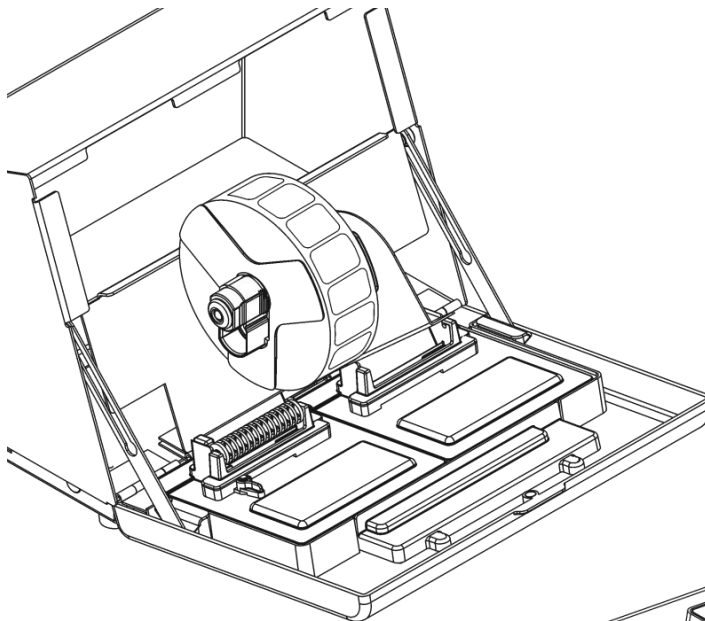
Always place the supply guide on the supply holder with the **flat side next to the supply**. Do not force the supply guide onto the supply holder.



Supply Guide



Supply Guide



If you have a broken or damaged supply flange, contact your regional Avery Dennison Service Department.